

Bristol
compressors
Compressing the World



P r o d u c t
I n f o r m a t i o n
C a t a l o g



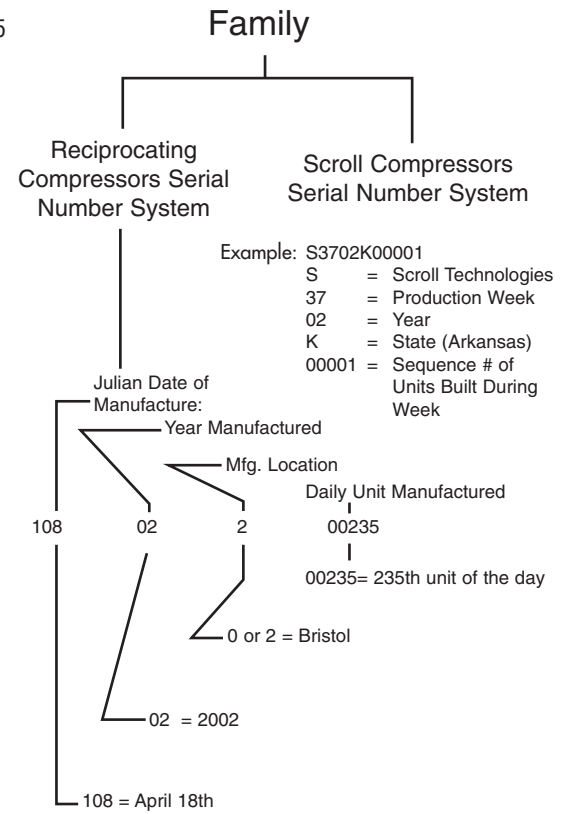
15185 Industrial Park Road, Bristol, VA 24202
276.466.4121 • FAX 276.645.2423
www.bristolcompressors.com

Revised
July 2003

The Dual Technology Leader / www.bristolcompressors.com

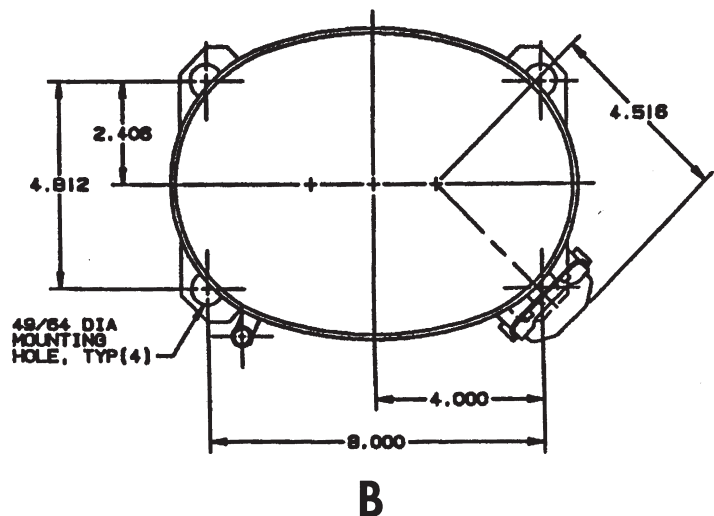
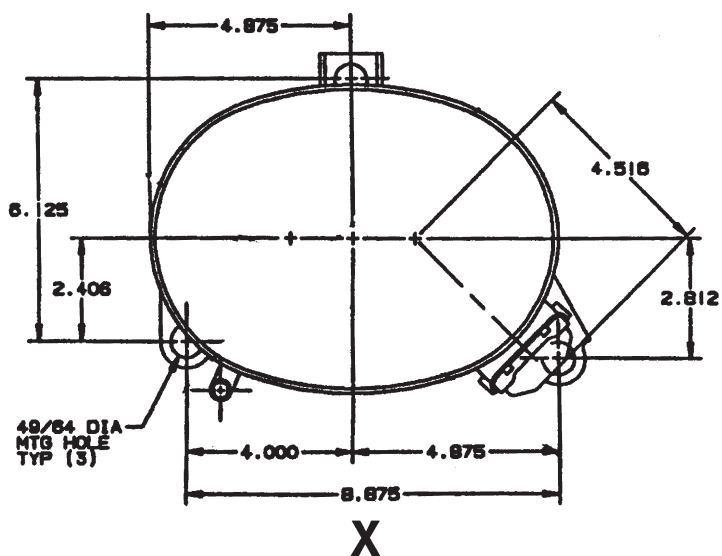
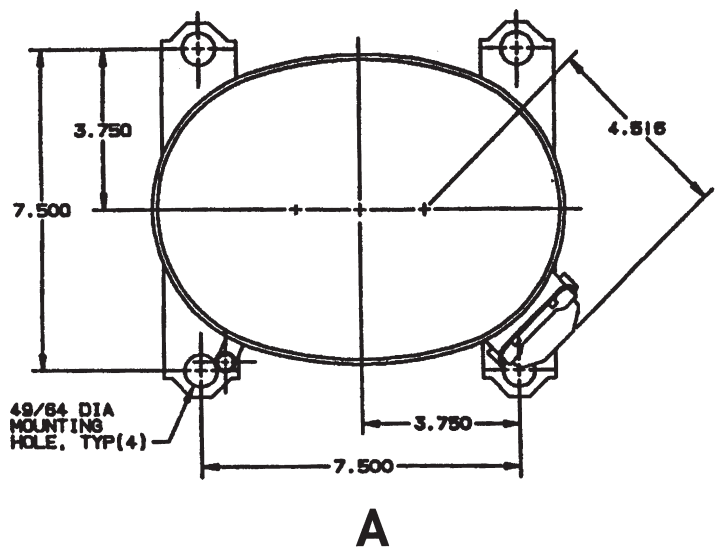
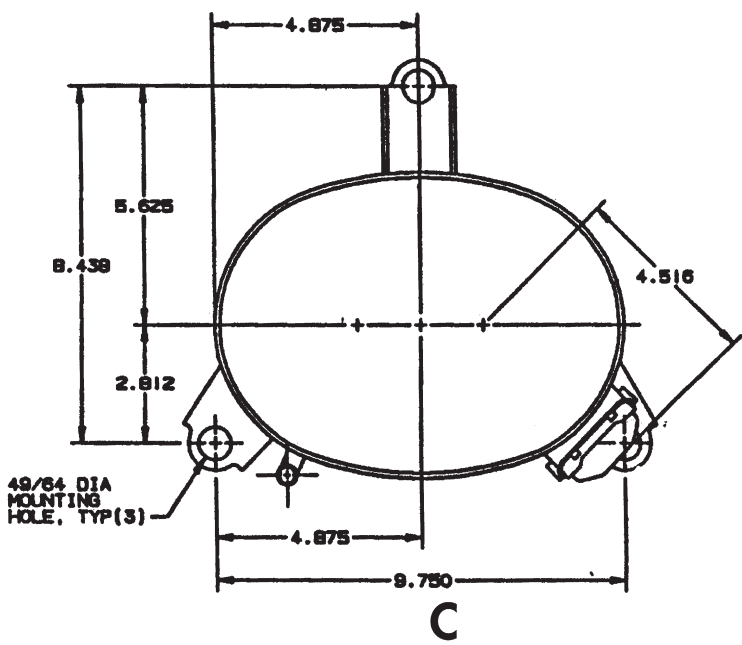
2 COMPRESSOR MODEL NUMBER SYSTEM

H	2	9	B	18	U	A	B	C	A
Mounting Feet Dim.....A = 7.5 x 7.5 B = 4.8 x 8.0 C = 8.4 x 9.8 D = 6.12 x 8.0 E = 9.5 x 9.5									
.....F = 10.5 x 10.5 H = 7.5 x 21.5 J = 7.5 x 22.5 X = 8.8 x 6.1									
Electrical Characteristics.....A= 115-1-60 M= 220/200-3-50									
.....B= 230-1-60 N= 380/415-3-50									
.....C= 230/208-1-60 P= 240/200-1-50									
.....D= 230/208-3-60 (220/200-3-50) T= 208-1-60									
.....E= 460-3-60 (380/415-3-50) U= 220/380-3-60									
.....F= 575-3-60 (500-3-50) V= 460/380-3-60 (380/415-3-50)									
.....G= 200-1-60 W= 380/460-3-60									
.....H= 265-1-60 (220/240-1-50) X= 380-3-60									
.....J= 230/208-1-50 Y= 230/208-3-60 (No 50 hz)									
.....K= 220/240-1-50 Z= 380/415-3-50 hz									
.....L= 230/200-3-60 (220/200-3-50)									
Motor Protector.....B= Internal Line Break									
.....P= Pilot Duty - Solid State									
.....R= Pilot Duty - Solid State (2nd Generation)									
.....T= Pilot Duty - Internal Thermostat and External Sensing Elements									
Motor Type.....A= PSC Permanent Split Capacitor F= PWS 3 Phase-Part Winding Start									
.....B= CSR Capacitor Start/Cap. Run G= 3 Phase 2/4/Pole (2 Speed)									
.....C= RSCR Resistance Start/Cap. Run J= 1 Phase 2/4 Pole (2 Speed)									
.....D= AI 3 Phase-Across the Line K= 3 Phase-Dual Voltage									
.....E= CSIR Cap. Start/Induction Run L= 3 Phase - WYE DELTA									
Capacity.....183= 18+3-0's = 18,000; 244 = 24+4-0's = 240,000 BTU/HR									
.....18U= 18+3-0's = 18,000 BTU/HR									
Family.....A= Model A Reciprocating G= Model G Reciprocating									
.....B= Model B Reciprocating R= Scroll (>42K)									
.....C= Scroll (≤42K)									
.....D= Dual Compressor Application									
Generation.....B= Second Generation- No PRV (Except G series) 2= Third Generation - Basic Standard Model									
.....D= Dual Compressor Application (Single & Interconnected) 3= Fourth Generation - Basic Standard Model									
.....E= High Efficiency 4= Basic Standard Model - Improved Sound									
.....M= Alternate Pressure Relief Valve 5= Inertia Series - Standard Model									
.....N= No Pressure Relief Valve (Except G series) 6= Inertia Series - Hi Efficiency Model									
.....O= Basic Standard Model 7= Inertia Series - Second Generation Hi Efficiency Model									
.....P= Basic Standard Model- Upgrade Plus 8= Fifth Generation- Basic Standard Model Upgrade									
.....1= Second Generation - Basic Standard Model 9= Sixth Generation- Basic Standard Model Upgrade									
Type of Refrigerant.....1= R12 5= R502 or Alt. Replacement Refrigerant SUVA-HP-81 (Refrigerant R402B)									
.....2= R22 6= R404A (SUVA HP62)									
.....4= R134a 7= R407C (SUVA AC9000 or KLEA 66) 8= R410A									
Refrigeration Application.....H= High Temperature S= High Temperature (One Capacity / 1,2,3, or 4 cylinder) Half/Single									
.....M= Medium Temperature T= High Temperature (Two Capacities / 2 or 4 cylinder)- Twin/Single									
.....L= Low Temperature									



WWW.BRISTOLCOMPRESSORS.COM

MOUNTING FEET CONFIGURATION



3

WWW.BRISTOLCOMPRESSORS.COM

H20R SERIES

50 HZ

Model	@45/130				@45/100			@45/110			Electrical Data RLA LRA MCC			Displacement IN ³ /REV CM ³ /REV		
	Capacity BTU/H WATTS	Motor Input WATTS	EER/COP BTU/WH W/W		Capacity BTU/H	Motor Input WATTS	EER/COP BTU/WH	Capacity BTU/H	Motor Input WATTS	EER/COP BTU/WH						
	220/240 VOLTS - 1 Phase															
H20R453ABK	36000	10563	3280	11.0	3.2	43203	2389	18.1	41100	2670	15.4	14.7	102	23.0	3.70	60.61
H20R583ABK	47200	13849	4230	11.2	3.3	55705	3079	18.1	52900	3440	15.4	19.2	140	30.0	4.80	78.62
H20R603ABK	48800	14319	4380	11.1	3.3	57626	3182	18.1	54800	3560	15.4	19.2	140	30.0	5.00	81.90
220/200 VOLTS - 3 Phase																
H20R943DBL	78700	23091	6750	11.7	3.4	92500	4900	18.9	88200	5425	16.3	25.6	190	40.0	8.00	131.06
400 VOLTS - 3 Phase																
H20R453DBE	37100	10886	3310	11.2	3.3	43611	2390	18.2	41519	2669	15.6	6.4	47	10.0	3.70	60.61
H20R483DBE	39600	11619	3530	11.2	3.3	46518	2551	18.2	44300	2850	15.5	7.1	55	11.0	3.96	64.86
H20R583DBE	47900	14055	4270	11.2	3.3	56209	3083	18.2	53500	3440	15.6	8.0	67	12.5	4.80	78.62
H20R603DBE	49500	14524	4410	11.2	3.3	58148	3189	18.2	55400	3560	15.6	8.0	67	12.5	5.00	81.90
H20R683DBE	55910	16405	4875	11.5	3.4	65260	3560	18.3	62200	4095	15.2	8.1	73	11.5	5.70	93.38
H20R723DBE	59950	17590	5325	11.3	3.3	70900	3810	18.6	67200	4250	15.8	8.4	73	13.0	5.90	96.65
H20R753DBE	62800	18427	5510	11.4	3.3	72890	3938	18.5	69537	4402	15.8	9.5	73	14.8	6.50	106.47
H20R813DBE	68381	20064	5967	11.5	3.4	79419	4206	18.9	75970	4731	16.1	11.0	90	17.0	6.60	108.11
H20R943DBE	78768	23111	6746	11.7	3.4	92484	4900	18.9	88237	5430	16.2	12.0	91	20.0	8.00	131.06

H70R SERIES (R407C)

50 HZ

220/240 VOLTS - 1 Phase																
H70R453ABK	37081	10880	3521	10.5	3.1	45034	2437	18.5	42418	2728	15.5	14.7	102	23.0	3.60	58.97
H70R583ABK	47522	13944	4379	10.9	3.2	57423	3035	18.9	54712	3391	16.1	19.2	140	30.0	4.70	76.99
H70R603ABK	48734	14300	4564	10.7	3.1	58904	3125	18.8	55247	3545	15.6	19.2	140	30.0	4.80	78.62
400 VOLTS - 3 Phase																
H70R453DBE	36394	10679	3450	10.5	3.1	44923	2425	18.5	42377	2730	15.5	6.4	47	10.0	3.60	58.97
H70R583DBE	46942	13774	4368	10.7	3.2	57934	3093	18.7	54597	3482	15.7	9.6	67	10.0	4.70	76.99
H70R603DBE	48556	14247	4259	11.4	3.3	59935	3260	18.4	56478	3611	15.6	9.6	67	15.0	4.90	80.26
H70R753DBE	61587	18071	5598	11.0	3.2	75131	3888	19.3	70931	4372	16.2	11.5	76	15.0	5.90	96.64
H70R813DBE	67400	19776	6065	11.1	3.3	81775	4240	19.3	77200	4775	16.2	11.0	80	17.0	6.60	108.12
H70R943DBE	77400	22710	6850	11.3	3.3	92550	4940	18.7	89900	5500	16.3	13.5	84	21.0	8.00	131.06

*Data Subject to Revision

H20R SERIES

50 HZ

Model	Oil Charge OZ L		Weight Net Ship Lbs Kg Lbs Kg				ELECTRICAL START COMPONENTS			DIMENSIONS *DIAGRAMS FOUND ON PAGE 13					
							Run Capacitor MFD/VOLTS	Start Capacitor MFD/VOLTS	G.E. Relay	A		B		C	
	IN	MM	IN	MM	IN	MM									
220/240 VOLTS - 1 Phase															
H20R453ABK	65	1.9	77.0	35.0	79.8	36.3	55/440	88-108/250	3ARR3*25AS*	11.7	296.2	16.6	422.3	18.2	461.4
H20R583ABK	65	1.9	84.5	38.4	89.5	40.7	55/440	88-108/250	3ARR3*25AS*	12.2	310.9	17.5	444.7	19.1	483.7
H20R603ABK	65	1.9	85.0	38.6	90.0	40.9	55/440	88-108/250	3ARR3*25AS*	12.2	310.9	17.5	444.7	19.1	483.7
220/200 VOLTS - 3 Phase															
H20R943DBL	90	2.6	97.0	44.1	102.0	46.4	-Not Req'd	-Not Req'd	-Not Req'd	13.8	349.8	19.3	489.5	20.3	516.2
400 VOLTS - 3 Phase															
H20R453DBE	70	2.1	78.0	35.5	80.8	36.7	-Not Req'd	-Not Req'd	-Not Req'd	11.7	296.2	16.6	422.3	18.2	461.4
H20R483DBE	70	2.1	79.0	35.9	81.8	37.2	-Not Req'd	-Not Req'd	-Not Req'd	11.7	296.2	16.6	422.3	18.2	461.4
H20R583DBE	76	2.2	84.5	38.4	87.3	39.7	-Not Req'd	-Not Req'd	-Not Req'd	12.2	310.9	17.5	444.7	19.1	483.7
H20R603DBE	76	2.2	85.0	38.6	87.8	39.9	-Not Req'd	-Not Req'd	-Not Req'd	12.2	310.9	17.5	444.7	19.1	483.7
H20R683DBE	80	2.3	88.0	40.0	93.0	42.3	-Not Req'd	-Not Req'd	-Not Req'd	12.3	310.8	17.5	444.5	19.1	483.6
H20R723DBE	80	2.3	88.0	40.0	93.0	42.3	-Not Req'd	-Not Req'd	-Not Req'd	12.3	310.8	17.5	444.5	19.1	483.6
H20R753DBE	80	2.4	95.0	43.2	97.8	44.5	-Not Req'd	-Not Req'd	-Not Req'd	12.3	310.9	17.5	444.7	19.1	483.7
H20R813DBE	80	2.4	95.0	43.2	100	45.5	-Not Req'd	-Not Req'd	-Not Req'd	13.8	350.0	19.0	483.4	20.1	510.1
H20R943DBE	90	2.6	97.0	44.1	102.0	46.4	-Not Req'd	-Not Req'd	-Not Req'd	13.8	349.8	19.3	489.5	20.3	516.2

H70R SERIES (R407C)

50 HZ

220/240 VOLTS - 1 Phase															
H70R453ABK	65	1.9	77.0	35.0	79.5	36.1	55/440	88-108/250	3ARR3*25AS*	11.7	296.3	16.6	422.3	18.2	461.3
H70R583ABK	65	1.9	85.0	38.6	87.5	39.7	55/440	88-108/250	3ARR3*25AS*	12.2	310.9	17.5	444.7	19.1	483.7
H70R603ABK	65	1.9	86.0	39.1	88.5	40.2	55/440	88-108/250	3ARR3*25AS*	12.2	310.9	17.5	444.7	19.1	483.7
400 VOLTS - 3 Phase															
H70R453DBE	70	2.1	78.0	35.5	81.5	37.1	-Not Req'd	-Not Req'd	-Not Req'd	11.7	296.3	16.6	422.3	18.2	461.3
H70R583DBE	76	2.2	78.5	35.7	81.0	36.8	-Not Req'd	-Not Req'd	-Not Req'd	12.2	310.9	17.5	444.7	19.1	483.7
H70R603DBE	76	2.2	78.5	35.7	81.0	36.8	-Not Req'd	-Not Req'd	-Not Req'd	12.2	310.9	17.5	444.7	19.1	483.7
H70R753DBE	80	2.4	92.0	41.8	94.5	43.0	-Not Req'd	-Not Req'd	-Not Req'd	12.2	310.9	17.5	444.7	19.1	483.7
H70R813DBE	80	2.3	95.0	43.2	100.0	45.5	-Not Req'd	-Not Req'd	-Not Req'd	13.8	350.1	19.0	482.0	20.1	509.9
H70R943DBE	90	2.6	97.0	44.1	102.0	46.4	-Not Req'd	-Not Req'd	-Not Req'd	13.8	349.8	19.3	489.5	20.3	516.2

H21R SERIES

60 HZ

Model	@45/130				@45/100			@45/110			Electrical Data RLA LRA MCC			Displacement IN ³ /REV CM ³ /REV		
	Capacity BTU/H WATTS		Motor Input WATTS	EER/COP BTU/WH W/W	Capacity BTU/H	Motor Input WATTS	EER BTU/WH	Capacity BTU/H	Motor Input WATTS	EER BTU/WH						
230/208 VOLTS - 1 Phase																
H21R453ABC	44800	13145	3950	11.3	3.3	52731	2753	19.2	50169	3116	16.1	23.4	126	36.5	3.70	60.61
H21R483ABC	48500	14231	4250	11.4	3.3	56962	2928	19.5	54088	3320	16.3	24.4	150	38.0	3.96	64.86
H21R543ABC	54100	15874	4800	11.3	3.3	63615	3312	19.2	60521	3705	16.3	26.9	175	42.0	4.30	70.43
H21R583ABC	57900	16989	5120	11.3	3.3	68509	3569	19.2	65099	4116	15.8	26.9	175	45.0	4.77	78.13
H21R603ABC	60700	17811	5390	11.3	3.3	71442	3685	19.4	67974	4209	16.1	28.9	175	45.0	4.94	80.92
230/208 VOLTS - 3 Phase																
H21R453DBY	44057	12927	3942	11.2	3.3	52103	2671	19.5	49580	3056	16.2	13.0	93	20.2	3.70	60.61
H21R483DBY	46900	13761	4300	10.9	3.2	54982	2904	18.9	49879	3347	14.9	14.1	105	22.0	3.96	64.86
H21R513DBY	49600	14554	4440	11.2	3.3	58813	3025	19.4	52646	3433	15.3	15.4	105	24.0	4.20	68.80
H21R543DBY	53619	15733	4721	11.4	3.3	63280	3261	19.4	60222	3672	16.4	16.7	115	26.0	4.50	73.71
H21R583DBY	56500	16578	5020	11.3	3.3	66946	3314	20.2	63614	3829	16.6	15.5	125	26.5	4.77	78.13
460 VOLTS - 3 Phase																
H21R483DBE	47000	13791	4230	11.1	3.3	55589	2848	19.5	52811	3259	16.2	7.4	55	11.5	3.96	64.86
H21R543DBE	53619	15733	4721	11.4	3.3	63280	3261	19.4	60222	3672	16.4	8.9	62	13.0	4.50	73.71
H21R583DBE	56600	16608	5040	11.2	3.3	67110	3422	19.6	63880	3905	16.4	8.9	67	13.9	4.77	78.13
H21R603DBE	58400	17136	5200	11.2	3.3	69028	3504	19.7	65607	3998	16.4	9.1	67	14.2	4.94	80.92
575 VOLTS - 3 Phase																
H21R583DBF	56671	16628	4967	11.4	3.3	66951	3368	19.9	63619	3824	16.6	7.1	50	11.0	4.90	80.26

H21R SERIES

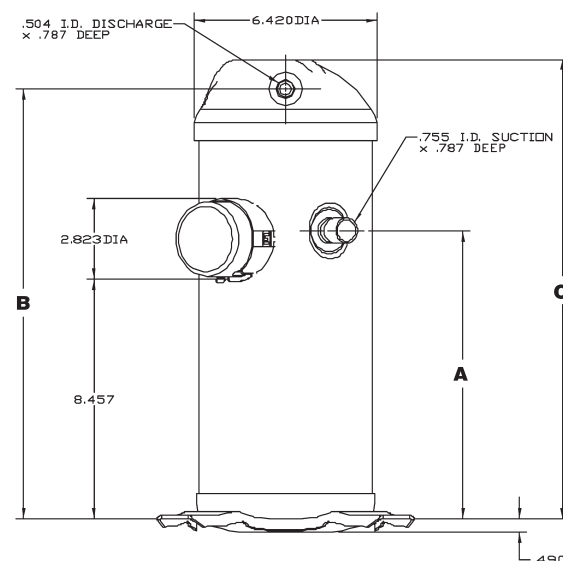
50 HZ

400 VOLTS - 3 Phase																
H21R483DBE	39900	11708	3630	11.0	3.2	47594	2415	19.7	45285	2752	16.5	7.4	55	11.5	3.96	64.86
H21R583DBE	48100	14114	4340	11.1	3.3	57541	2873	20.0	51601	3296	15.7	8.9	67	13.9	4.80	78.62
H21R603DBE	49600	14554	4440	11.2	3.3	59004	2980	19.8	56039	3882	14.4	9.1	67	14.2	5.00	81.90

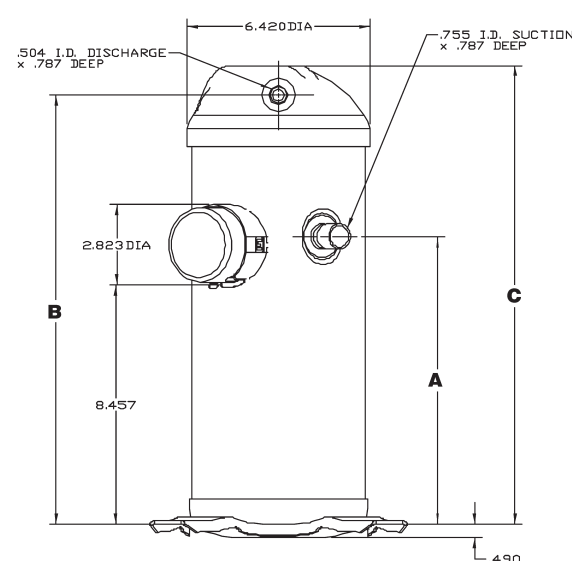
*Data Subject to Revision

C & R FAMILY

Diagrams



H20C & H70C



H21C

WWW.BRISTOLCOMPRESSORS.COM

H21R SERIES

60 HZ

Model	Oil Charge OZ L		Weight Net Ship Lbs Kg Lbs Kg				ELECTRICAL START COMPONENTS			DIMENSIONS *DIAGRAMS FOUND ON PAGE 13					
							Run Capacitor MFD/VOLTS	Start Capacitor MFD/VOLTS	G.E. Relay	A		B		C	
										IN	MM	IN	MM	IN	MM
230/208 VOLTS - 1 Phase															
H21R453ABC	65	1.9	86.0	39.1	88.8	40.4	70/370	88-108/250	3ARR3*3L*	12.2	310.9	17.2	437.0	18.8	476.1
H21R483ABC	65	1.9	86.0	39.1	88.8	40.4	60/370	161-193/250	3ARR3*3L*	12.2	310.9	17.2	437.0	18.8	476.1
H21R543ABC	65	1.9	88.0	40.0	93.0	42.3	80/370	145-175/330	3ARR3*3P*	12.2	310.9	17.2	437.0	18.8	476.1
H21R583ABC	65	1.9	88.5	40.2	91.3	41.5	80/370	145-175/330	3ARR3*3P*	12.2	310.9	17.5	444.7	19.1	483.7
H21R603ABC	65	1.9	89.0	40.5	91.8	41.7	80/370	145-175/330	3ARR3*3P*	12.2	310.9	17.5	444.7	19.1	483.7
230/208 VOLTS - 3 Phase															
H21R453DBY	70	2.1	72.2	32.8	74.7	34.0	-Not Req'd	-Not Req'd	-Not Req'd	12.2	310.9	17.2	437.0	18.8	476.1
H21R483DBY	70	2.1	73.0	33.2	75.8	34.5	-Not Req'd	-Not Req'd	-Not Req'd	12.2	310.9	17.2	437.0	18.8	476.1
H21R513DBY	70	2.1	74.0	33.6	76.8	34.9	-Not Req'd	-Not Req'd	-Not Req'd	12.2	310.9	17.2	437.0	18.8	476.1
H21R543DBY	76	2.2	82.0	37.3	87.0	39.5	-Not Req'd	-Not Req'd	-Not Req'd	12.2	310.9	17.2	437.0	18.8	476.1
H21R583DBY	76	2.2	77.5	35.2	80.3	36.5	-Not Req'd	-Not Req'd	-Not Req'd	12.2	310.9	17.5	444.7	19.1	483.7
460 VOLTS - 3 Phase															
H21R483DBE	70	2.1	73.3	33.3	76.1	34.6	-Not Req'd	-Not Req'd	-Not Req'd	12.2	310.9	17.2	437.0	18.8	476.1
H21R543DBE	76	2.2	81.0	36.8	86.0	39.1	-Not Req'd	-Not Req'd	-Not Req'd	12.2	310.9	17.2	437.0	18.8	476.1
H21R583DBE	76	2.2	78.5	35.7	81.3	37.0	-Not Req'd	-Not Req'd	-Not Req'd	12.2	310.9	17.5	444.7	19.1	483.7
H21R603DBE	76	2.2	78.5	35.7	81.3	37.0	-Not Req'd	-Not Req'd	-Not Req'd	12.2	310.9	17.5	444.7	19.1	483.7
575 VOLTS - 3 Phase															
H21R583DBF	72	2.1	92.0	41.8	95.0	43.2	-Not Req'd	-Not Req'd	-Not Req'd	12.2	310.9	17.5	444.7	19.1	483.7

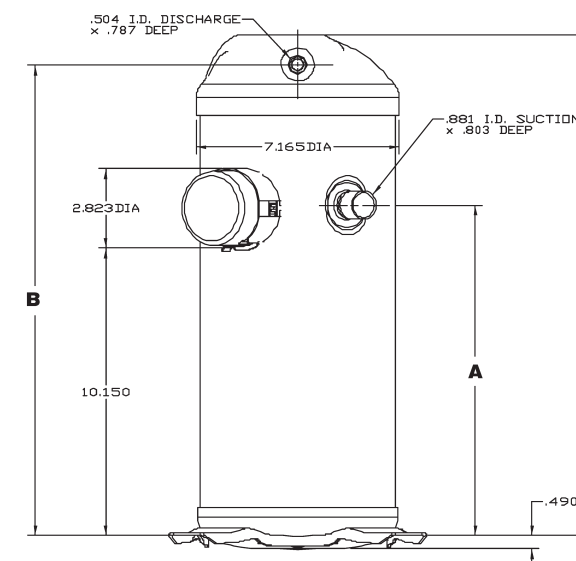
H21R SERIES

50 HZ

400 VOLTS - 3 Phase															
H21R483DBE	70	2.1	79.0	35.9	81.8	37.2	-Not Req'd	-Not Req'd	-Not Req'd	12.2	310.9	17.2	437.0	18.8	476.1
H21R583DBE	76	2.2	79.0	35.9	81.8	37.2	-Not Req'd	-Not Req'd	-Not Req'd	12.2	310.9	17.5	444.7	19.1	483.7
H21R603DBE	76	2.2	79.0	35.9	81.8	37.2	-Not Req'd	-Not Req'd	-Not Req'd	12.2	310.9	17.5	444.7	19.1	483.7

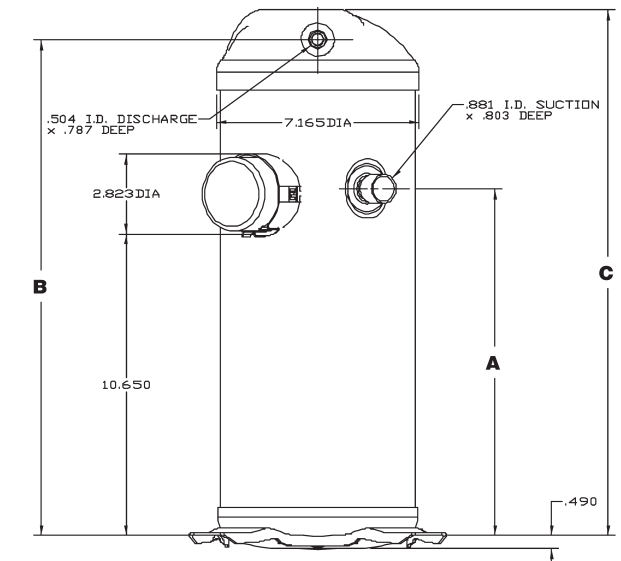
C & R FAMILY

Diagrams



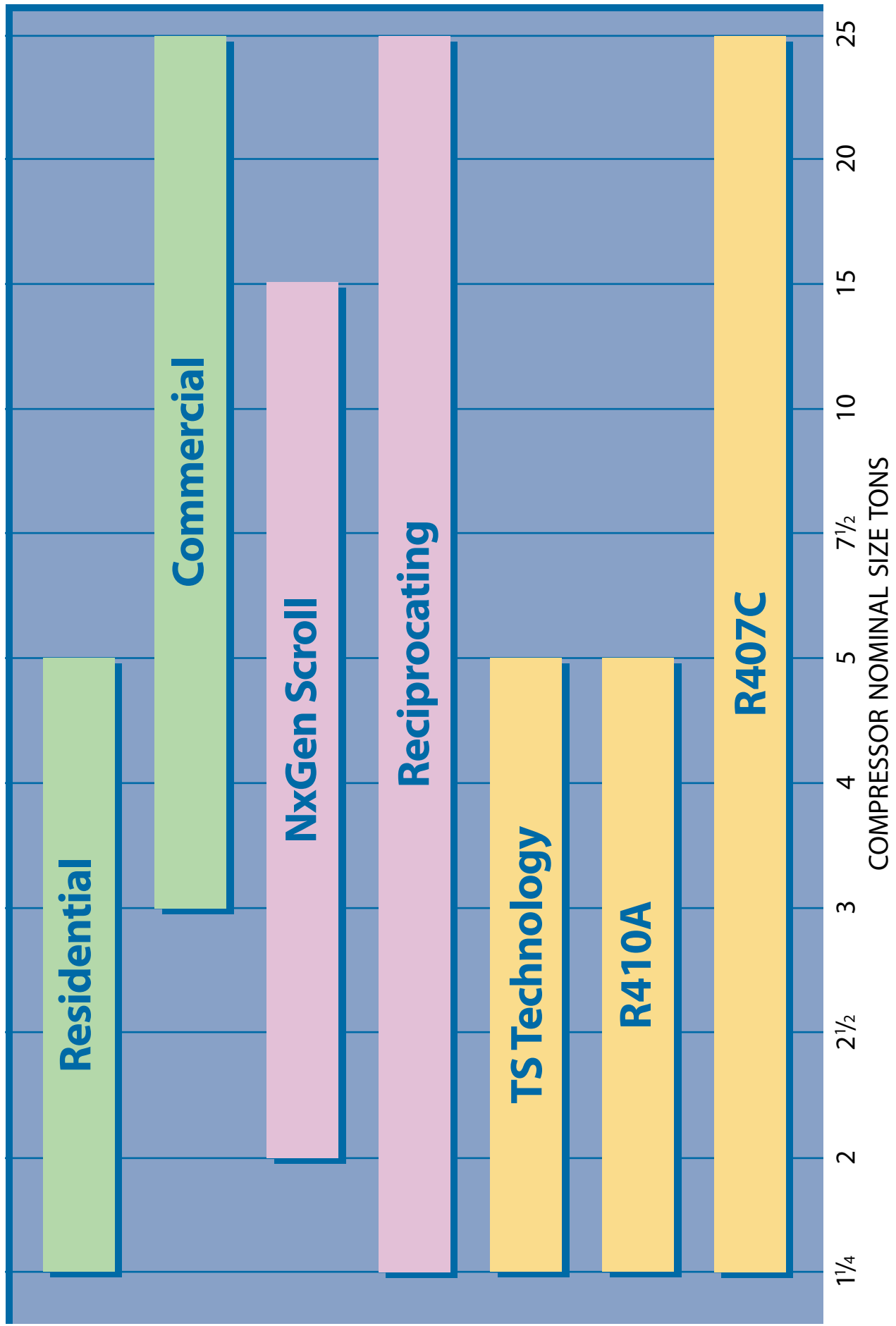
H20R & H70R

WWW.BRISTOLCOMPRESSORS.COM



H21R

Bristol Compressors Innovation



Best of Both



Quiet. Reliable. Efficient.

Bristol 
compressors
www.bristolcompressors.com

COMING SOON